



**Fire-Lite<sup>®</sup> Alarms**  
INCORPORATED

July 28, 1998

G-122

**Gentex AVS44**  
**Synchronization Control Module**  
**for the GOT/GOS Series Horn & Horn/Strobe**

Section: Audio/Visual Devices

**GENERAL**

The **Gentex AVS44 Synchronization Control Module** is designed to provide an easy way to synchronize multiple horns as well as strobe light flashes using only two wires in those rare instances where a synchronized flash is required. The control module has the ability to **synchronize multiple horn signals** with: a Code 3 temporal pattern at 800 Hz or 2400 Hz; the 800/1000 Hz alternating tone; the chime — and the ability to **silence the horn** while allowing the strobes to continue flashing.

By incorporating the control module as shown in the wiring diagrams (page 2), the control module will control power to the horns to produce synchronized operation. When using Z-Series strobes or horn/strobes in parallel mode, synchronization may also be attained without using a control module if the fire alarm control panel is capable of providing pulsed power with a minimum power-off time of 10 mS and a maximum power-off time of 20 mS and with a repetition rate of 1 second (see figure 2, page 2). In parallel mode, the horn cannot be silenced while maintaining strobe operation.

**FEATURES**

- Option to silence the horn while strobes continue to flash.
- Synchronize horn and strobe using only two wires.
- Operates GOS “Z” horn/strobe.
- Easy to install.



S5405

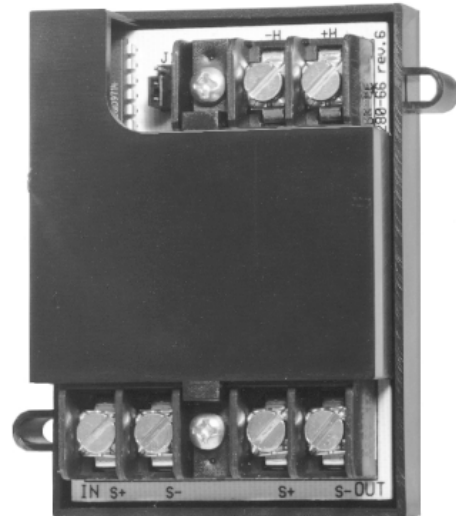
**MEA**

285-91-E Vol. XII



California  
State Fire  
Marshal

7300-0569:121



- Module is rated for 3 Amps at 24 VDC.
- Synchronizes to 1 Hz flash rate.
- **Dimensions:** 3.321" (84.3534 mm) high x 2.896" (73.5584 mm) wide x 1.190" (30.2260 mm) deep.

**ORDERING INFORMATION**

MODEL NUMBER	OPERATING VOLTAGE	INRUSH (mA)	PEAK (mA)	DC (mA)	FWR (mA)	CANDELA
AVS44	21 VDC	—	—	7 mA	—	—
	24 VDC	—	—	8 mA	—	—
	30 VDC	—	—	9 mA	—	—
	21 VFWR	—	—	—	7 mA	—
	24 VFWR	—	—	—	8 mA	—
	30 VFWR	—	—	—	9 mA	—
<b>STROBE RATED CURRENT</b>						
Gentex GOS-4-15/75Z*	21 VDC	420 mA	440 mA	144 mA	—	15*
	24 VDC	490 mA	680 mA	130 mA	—	15*
	30 VDC	620 mA	580 mA	116 mA	—	15*
	21 VFWR	550 mA	920 mA	—	172 mA	15*
	24 VFWR	640 mA	920 mA	—	155 mA	15*
	30 VFWR	700 mA	640 mA	—	138 mA	15*

\* Rated 75 Cd per UL 1638, Fire Protective Visual Signaling Appliances.

This document is not intended to be used for installation purposes. We try to keep our product information up-to-date and accurate. We cannot cover all specific applications or anticipate all requirements. All specifications are subject to change without notice. For more information, contact **Fire-Lite**. Phone: (203) 484-7161 FAX: (203) 484-7118



12 Clintonville Road, Northford, Connecticut 06472

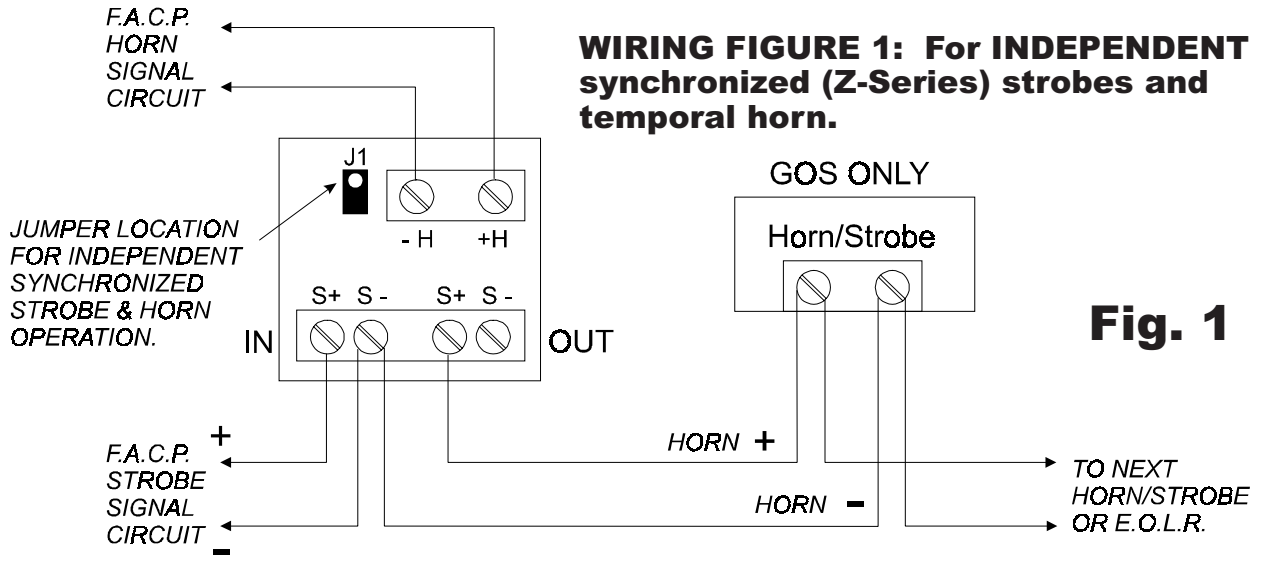
**ISO-9001**  
Engineering and Manufacturing  
Quality System Certified to  
International Standard ISO-9001



Made in the U.S.A.

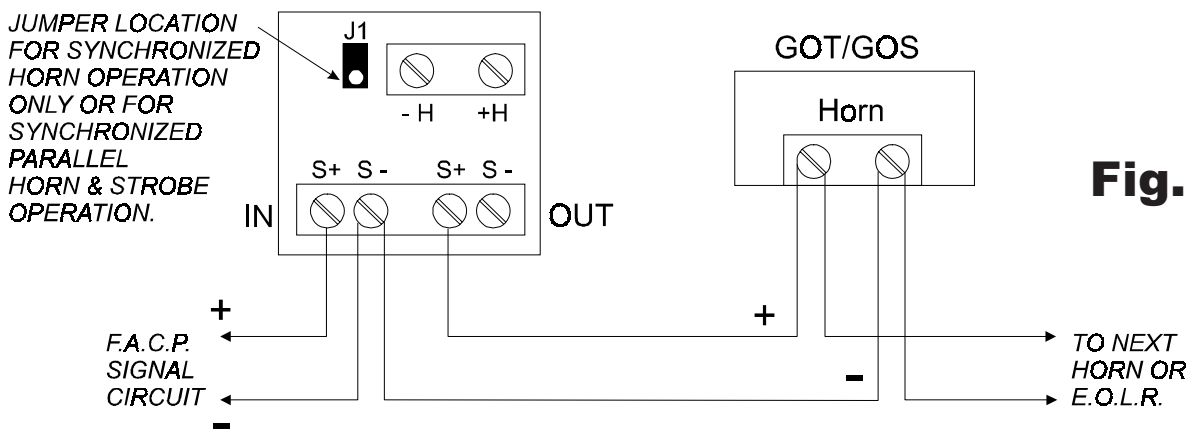
**WIRING DIAGRAMS**

**WIRING NOTE:** Do NOT loop wires under terminals. Use in-and-out wiring method.



**Fig. 1**

**WIRING FIGURE 2: For synchronized temporal horn ONLY, or PARALLEL horn/strobe operation.**



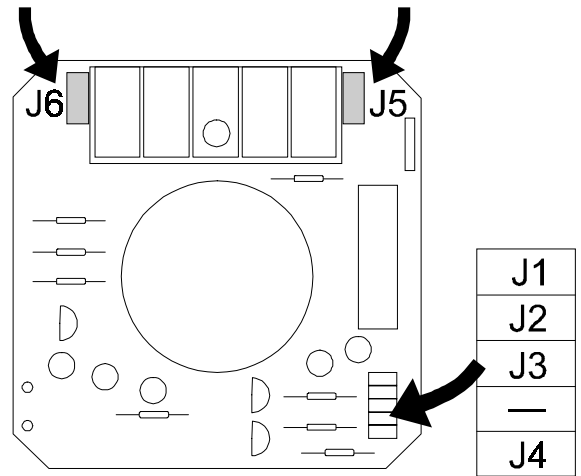
**Fig. 2**

**NOTE ON JUMPERS:**

When using the AVS44 control module, J5 and J6 on the GOS must be in the top position. These jumpers are in the top position when shipped from the factory.

**SEE DIAGRAM AT RIGHT.**

REMOVE FOR INDEPENDENT HORN/STROBE OPERATION



**Fig. 3**